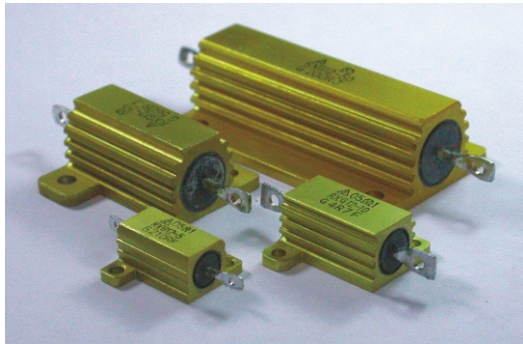




SICHUAN YONGXING ELECTRONICS CO.,LTD

# WIRE-WOUND RESISTORS

Aluminum Housed Big Power Style RX24,RXG24

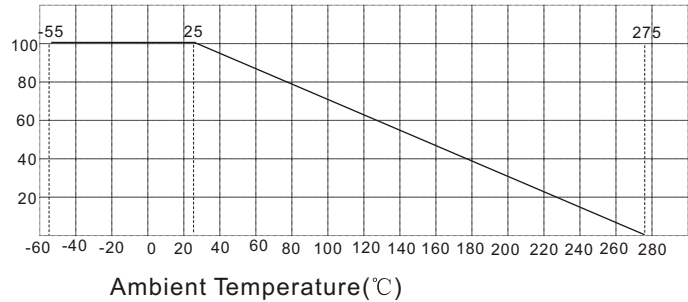


## FEATURES

Power Rating	5W,10W,20W,25W,50W,100W,200W,300W
Resistance Tolerance	±1%, ±2%, ±5%, ±10%
T.C.R.	±100ppm/°C

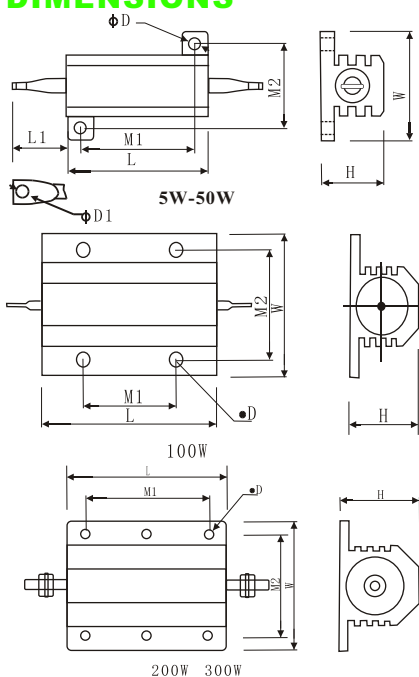
## DERATING CURVE CURVE

Rated Load(%)



## DIMENSIONS

Unit:mm



STYLE	DIMENSION							
	L	W	Hmax	M1	M2	D	L1	D
RX24-5W	15.5	16.5	9	11.3±0.5	12.5±0.5	2.4	7±1.5	1.3
RX24-10W	19	20.5	10	14±0.5	16±0.5	2.2	8.6±1.5	2
RX24-20W(25W)	27	27.5	14	18±0.5	20±0.5	3.2	10.8±2.5	2
RX24-50W	50	29	15.5	40±0.5	22±0.5	3.2	10.8±2.5	2
RXG24-100W	65.5±2	48±2	26	35±0.5	37±0.5	4.4±0.4		
RXG24-200W	90±2	73±2	45	70±0.5	57.2±0.5	5.1±0.5		
RXG24-300W	128±2	73±2	45	104±0.5	59±0.5	6.6±0.5		

## ELECTRICAL CHARACTERISTICS

STYLE	RX24	RX24	RX24	RX24	RXG24	RXG24	RXG24
Power Rating at25°C	5W	10W	20W\25W	50W	100W	200W	300W
Limit Voltage (V)	130	200	400	800	1200	1400	1600
Insulation Voltage (V)	195	300	600	1200	1800	2100	2400
Value Range (Ω)	0.511-3.32K	0.511-4.32K	0.511-8.66K	0.511-26.1	0.5-1K	0.5-1K	1-2K
Operating Temp. Range	-55°C to +275°C						
T.C.R.	±100ppm/°C						

## ENVIRONMENTAL CHARACTERISTICS

TEST ITEM	TEST METHOD	APPRAISE
Load Life at25°C	70°C ±2°C at VR (or Umax) for 1000Hrs.	±(2%R+0.1 Ω)
Constant damp-heat	In V-Block for 60 Seconds	By Type
Solder Ability	235°C ±5°C for 2±0.1Seconds	By Type
Vibration	10-500Hz,98m/s,0.5h	±(1%R+0.05 Ω)
Terminal Strength	Tension test 9.8N10±1S	±(0.5%R+0.05 Ω)
Resistance to Soldering Heat	260°C ±5°C for 10±1Sec.	±(0.5%R+0.05 Ω)
Temperature Cycling.	-55°C to +275°C for 3 cycles	±(3%R+0.05 Ω)
Surpace Temperature Rise	VR	≤275°C