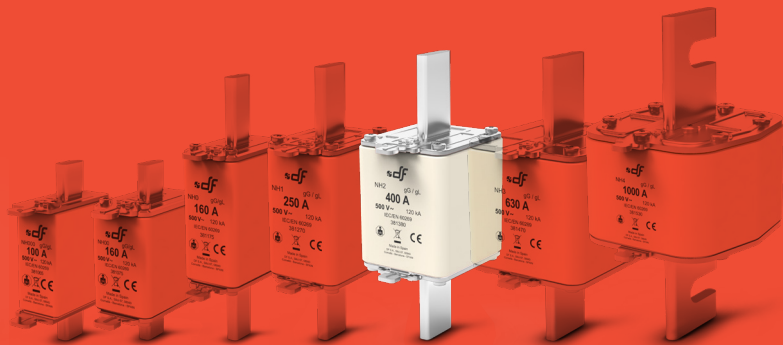




gG

NH 500V

fuse links



**PROTECTING
THE WORLD**





RATED VOLTAGE
500V

RATED CURRENT
63A...500A

BREAKING CAPACITY
120kA

STANDARDS
IEC/EN 60269-1
IEC/EN 60269-2



Knife type NH gG 500V fuse links with top indicator

These high breaking capacity fuse-links are intended for protection of power lines and equipment, against overloads and short-circuits with rated voltages up to 500V AC (+10%).

The rated breaking capacity is 120 kA.

Compact versions in low rated currents of every size.

The range comprises the following fuse links:

- Size NHC2 gG 500V 63A to 250A
- Size NH2 gG 500V 315A to 500A
- Size NH2 with striker gG 500V 125A to 500A

Manufactured with ceramic body with high withstand to internal pressure and thermal shock, that allows a high breaking capacity. Knife contacts are made of silver plated copper or brass.

They are manufactured according to IEC/EN60269 Standards and comply with RoHS directive.



Range

	In (A)	REFERENCE	PACKING Uni /BOX
NHC2	63	381325	3/24
	80	381330	3/24
	100	381335	3/24
	125	381340	3/24
	160	381345	3/24
	200	381350	3/24
	224	381355	3/24
	250	381360	3/24
NH2	315	381370	3/30
	355	381375	3/30
	400	381380	3/30
	425*	381385	3/30
	500*	381390	3/30

* Overrating fuse links

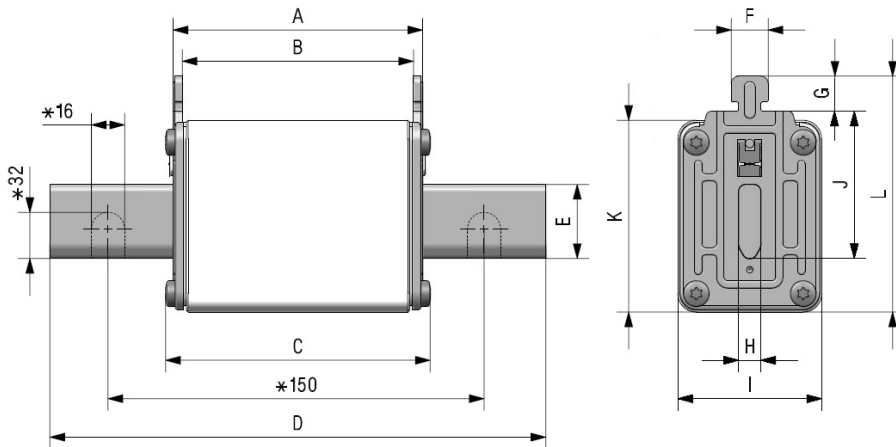
Range

	In (A)	REFERENCE	PACKING Uni /BOX
NH2 WITH STRIKER	125	395340	3/18
	160	395345	3/18
	200	395350	3/18
	224	395355	3/18
	250	395360	3/18
	315	395370	3/18
	355	395375	3/18
	400	395380	3/18
	425*	395385	3/30
	500*	395390	3/30

* Overrating fuse links



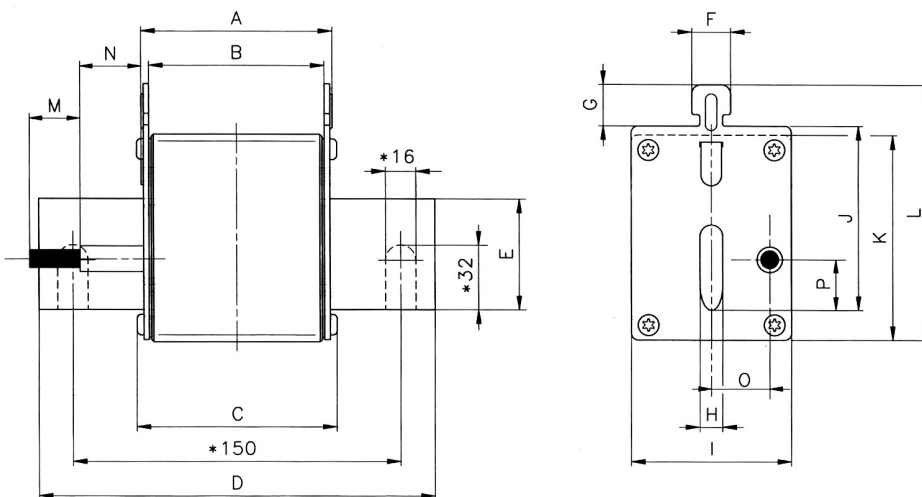
Dimensions



* Only for NH4 fuse links

	A	B	C	D	E	F	G	H	I	J	K	L
NHC2	68	62	71,5	150	20	10	9,5	6	39	48	52	72
NH2	68	62	71,5	150	25	10	9,5	6	53	48	60	72

Weight NHC2: 470gr | NH2: 620gr



* Only for NH4 fuse links

A	B	C	D	E	F	G	H	I	J	K	L	M	N	O	P
68	62	71,5	150	20	10	9,5	6	53	48	60	72	15	28,5	19	14,5

Weight 620gr



Technical data

Rated voltage	500V AC +10%
Rated current	63A...500A
Rated breaking capacity	120kA
Utilization category	gG
Rated frequency	42...62Hz
Storage temperature	-40°C ... 90°C
Operating temperature *	-40°C ... 80°C

* For ambient temperatures higher than 25°C it is necessary to apply a derating in maximum current.

Standards

IEC/EN 60269-1
IEC/EN 60269-2
RoHS Compliant



Materials

Body	Steatite C221
Contact blades	Copper or brass (silver plated)
Plates	Aluminium
Screws	Zinc plated steel

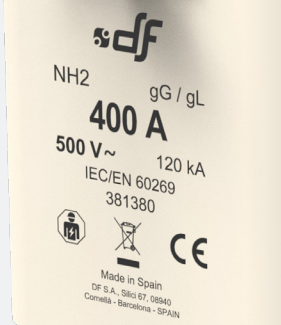
DC Application

RATED CURRENT	MAX DC VOLTAGE	DC BREAKING CAPACITY
63A...400A	250V DC	80kA
425A...500A	80V DC	80kA

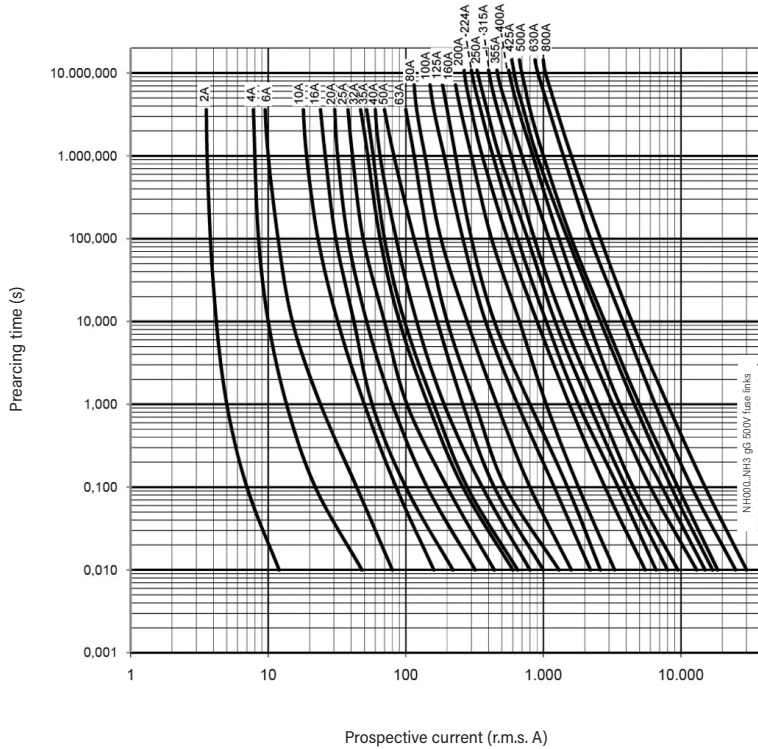
Power dissipation

	I_n (A)	POWER DISSIPATION (W)	PREARcing I_t^2 $\approx 4 \text{ ms (A}^2\text{s)}$	TOTAL I_t^2 230V (A ² s)	TOTAL I_t^2 400V (A ² s)	TOTAL I_t^2 500V (A ² s)
NHC2	63	6,3	5700	16600	15800	22000
	80	7,9	9838	18600	29823	39350
	100	8,2	20400	38600	61692	81800
	125	10,3	40500	70900	107301	136895
	160	13,1	78400	137000	207711	265000
	200	16,6	98100	159600	228666	282540
	224	18,6	138300	225000	322455	398400
	250	20,6	169000	274700	393447	486000
NH2	315	26,7	236700	435300	682917	890000
	355	29,0	290960	535100	839445	1094000
	400	32,3	444000	816600	1281297	1670000
	425	35,2	589800	998400	1473145	1851960
	500	40,0	900000	1523400	2247948	2826000

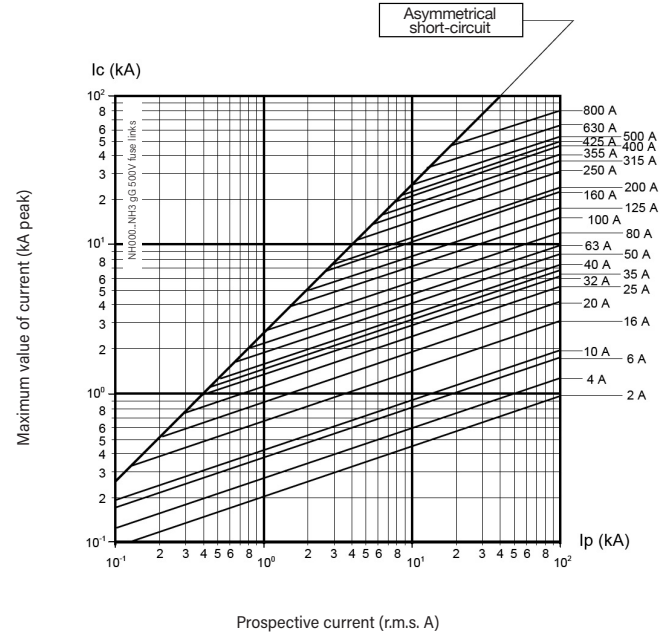
* Same data for STRIKER range (125A up to 500A)



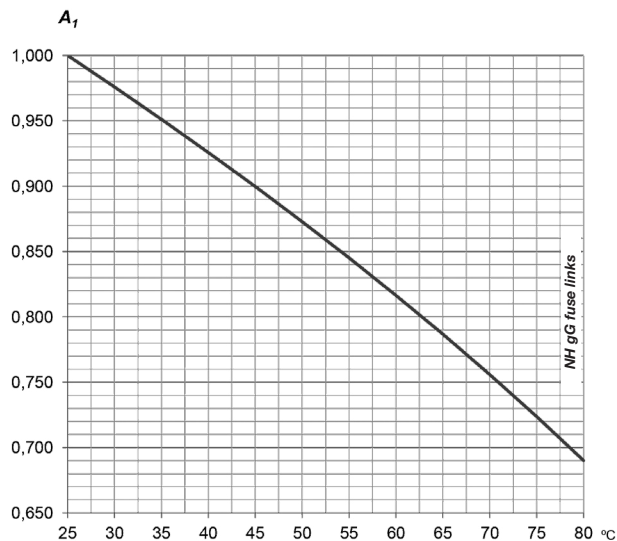
t-I characteristics



Cut-off characteristics



Ambient temperature derating factor



ta (°C)	A ₁
25	1,00
30	0,98
35	0,95
40	0,93
45	0,90
50	0,87
55	0,84
60	0,82
65	0,79
70	0,76
75	0,72
80	0,69



HEAD OFFICE AND FACTORY

SILICI, 67-69
08940 CORNELLA DE LLOBREGAT
BARCELONA
SPAIN
Tel. +34 93 377 85 85
Fax +34 93 377 82 82

INTERNATIONAL SALES

Tel. +34 93 475 08 64
Fax +34 93 480 07 75
export@dfelectric.es

NATIONAL SALES

Tel. 93 475 08 64
Fax 93 480 07 76
comercial@dfelectric.es

dfelectric.es



The data reflected in this technical record are subject to the correct installation of the product in accordance with manufacturer's instructions, relevant installation standards and professional practices, maintained and used in applications for which they were made.

DF ELECTRIC retains the right to change the dimensions, specifications, materials or design of its products at any time with or without notice.

©2021 DF Electric. All rights reserved



PROTECTING THE WORLD

