

SINGLE TURN POTENTIOMETER

Model POD 20

∅ 20 mm

100 000 Cycles

wirewound



RESENZO

SMARTER SENSING AND CONTROL

Features:

- Excellent rotational life
- Excellent resolution
- Bushing mount

Application:

Temperature regulation
Solder/ Welding device
measuring instrument

Options	
Shaft length	5mm – 40mm
Plastic slider	for Shaft ∅ 6 mm
Connections	Cable with connector Wires different length



Electrical Characteristics:

Resistance range	: 100Ω ÷ 20kΩ
Resistance tolerance	: ± 5%
Electrical angle	: 320° nom.
Independent linearity	: ± 0.5%
Resolution	: 0.44 ÷ 0.12 %
End resistance	: < 1% R _{tot} min. 3 ohm
Power rating	: 2W / 40°C
max. Wiper-current	: 50mA
max. contact resistance	: max. 100Ω bei 1mA
Insulation resistance	: 10GΩ bei 500Vdc
Dielectric strength	: 1000Vac
Temperature coefficient	: ± 40 ppm/°C

Mechanical Characteristics:

Rotational life	: 100 000 Cycles
Mechanical angle	: 320°
Protection rating	: IP 65
Torque	: 0.7 cNm

Environmental Characteristics:

Storage temperature	: -40°C ÷ +125°C
Operating temperature	: -25°C ÷ +105°C
Climatic rating	: 25/085/56
Vibration	: 10G
Shock	: 50G

Material:

Housing	: Thermoplast
Shaft	: brass nickel plated
Connections	: brass gold plated

SINGLE TURN POTENTIOMETER

Model POD 20

∅ 20 mm

100 000 Cycles

wirewound



RESENZO

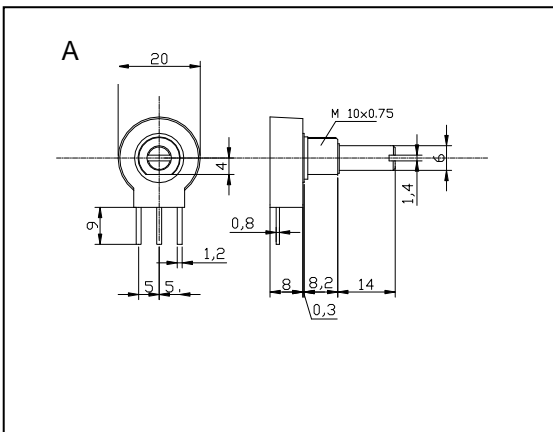
SMARTER SENSING AND CONTROL

Standard Potentiometers:

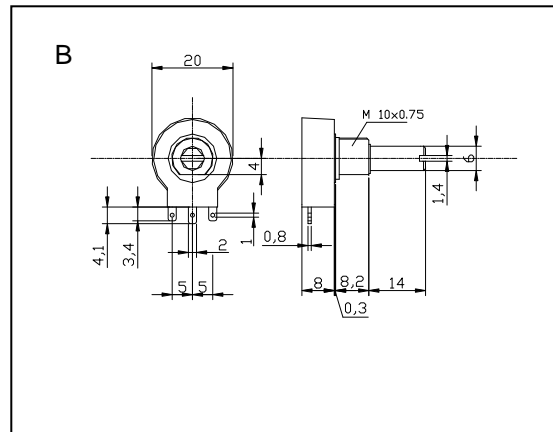
Typ	POD 20 MP	POD 20 MS		
	Print	Solder pins		
Shaft	14 mm	14 mm		
Drawing	A	B		
El. angle	320°	320°		
	Order number	Order number		
100Ω	14 00 10	14 04 10		
200Ω	14 00 11	14 00 11		
500Ω	14 00 12	14 04 12		
1kΩ	14 00 13	14 04 13		
5kΩ	14 00 15	14 04 15		
10kΩ	14 00 16	14 04 16		
20kΩ	14 00 17	14 04 17		

Drawings :

POD 20 MO- P



POD 20 MO- S



POD 20= Potentiometer Standard

GL=Slider
QL= Plastic slider

P O D 2 0 M R - S - - 1 0 k - 1 4 0 - 3 2 0 - A N S - G L

D= wirewound

M= Thread M10 Shaft 6mm

R = Locking pin
O = without locking pin

F = Flange 10.3mm

Resistance
100 ÷ 20 kohm
Other on demand

P= Print
S= Solderpins
LI= Wires 145mm
KS= Cable with connector

Shaft length 1/10mm
14 mm standard

El. Angle 320°

ANS= mech. Angle 320°

Specifications are subject to change without notice

Bahnhofstrasse 87
CH-3232 Ins
<http://www.resenso.ch>

Telefon 032 313 75 30

Mail info@resenso.ch