

- 体积小、功率大 Compact size, large power
- 轴的尺寸和轴端可按用户要求供货
Bespoke shaft dimension and shape available upon request
- 适用于电工及无线电装置中, 作分压和可变电阻使用
Widely used in electrics and radio equipment, as voltage divider and variable resistor

WX903 功率型线绕电位器
WX903 Power type, wirewound potentiometer

■ **适用标准 Applicable Specifications**

- GB/T15298-94 电子设备用电位器 第一部分: 总规范
- RU0.468.044JT WX903 功率型线绕电位器详细规范

■ **电特性 Electrical Characteristics**

- 标称阻值范围 Range of nominal resistance: 15Ω~2KΩ
- 阻值允许偏差 Tolerance: ±10%
- 绝缘电阻 Insulation resistance: $R_i \geq 1G\Omega$ (500V_{DC})
- 耐电压 Dielectric withstand voltage: 1000V_{AC}, 1min

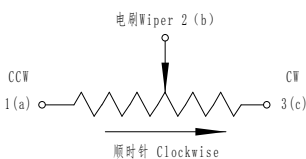
■ **环境特性 Environmental Characteristics**

- 额定功耗 Rated power: 12.5W @ 85°C, 0W @ 250°C
- 温度范围 Temperature range: -55°C~250°C
- 温度变化 Change of temperature: -55°C, 30 mins, 250°C, 30 mins, 3 cycles
 $\Delta R \leq \pm 2\%R, R_i \geq 500M\Omega$
- 稳态湿热 Damp heat, steady state: 40±2°C, RH:(90~95)%, 48h
 $\Delta R \leq \pm 2\%R, R_i \geq 200M\Omega$
电气接触可靠, stable electrical contact
- 振动 Vibration: 10 Hz~500Hz, 98m/s², 0.5h
WX903-1 $\Delta R \leq \pm 3\%R$, WX903-2 $\Delta R \leq \pm 2\%R$
无电气间断, 无机械损伤
(No electrical discontinuity, no mechanical damage)
- 冲击 Shock: 250m/s², 18 times
WX903-1: $\Delta R \leq \pm 3\%R$, WX903-2: $\Delta R \leq \pm 2\%R$
无机械损伤(no mechanical damage)
- 离心 Centrifugal: 250m/s², 15mins
WX903-1: $\Delta R \leq \pm 3\%R$, WX903-2: $\Delta R \leq \pm 2\%R$
无机械损伤(no mechanical damage)
- 碰撞 Collision: 400m/s², 4000 times, 6ms, 40~80times/min
WX903-1: $\Delta R \leq \pm 3\%R$, WX903-2: $\Delta R \leq \pm 2\%R$
无机械损伤(no mechanical damage)
- 机械耐久性 Mechanical endurance: 12.5W, 1000 times

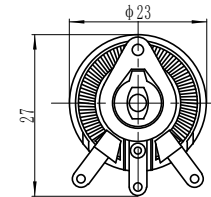
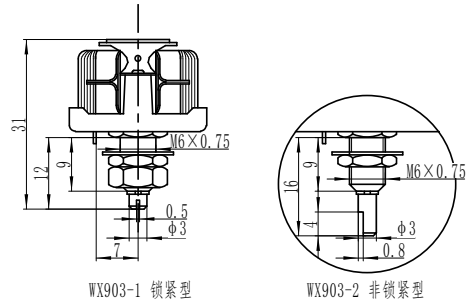
■ **物理特性 Physical Characteristics**

- 总机械行程 Total mechanical travel: 300°±10°
- 启动力矩 Stating torque: 10mN.m~100 mN.m
- 止档力矩 Stop torque: ≤150 mN.m
- 标志: 型号、标称阻值、制造厂商标、制造年月、阻值允许偏差
Marking: Type, Rated resistance, trade mark of the manufacturer, Date, Tolerance
- 标准包装 Standard package: 10 只/盒 10 pcs/box

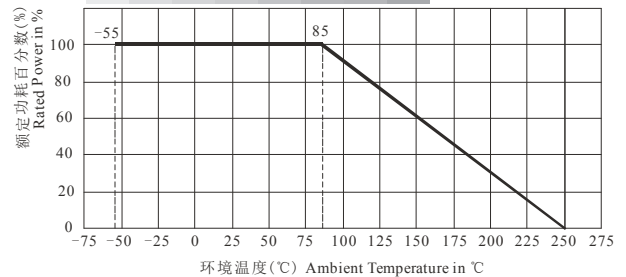
■ **电路图 Circuit Diagram**



■ **外形尺寸图 Dimensions**



■ **降功耗曲线 Derating**



■ **标称阻值表**

Nominal Resistance Table

阻值 (Ω) Resistance		
15	82	470
18	100	560
22	120	680
27	150	820
33	180	1K
39	220	1.2K
47	270	1.5K
56	330	1.8K
68	390	2 K

■ **订货指南 Ordering Information**

WX903-1 - 150Ω - K

型号 Type - 标称阻值 Rated Resistance - 允许偏差 Tolerance