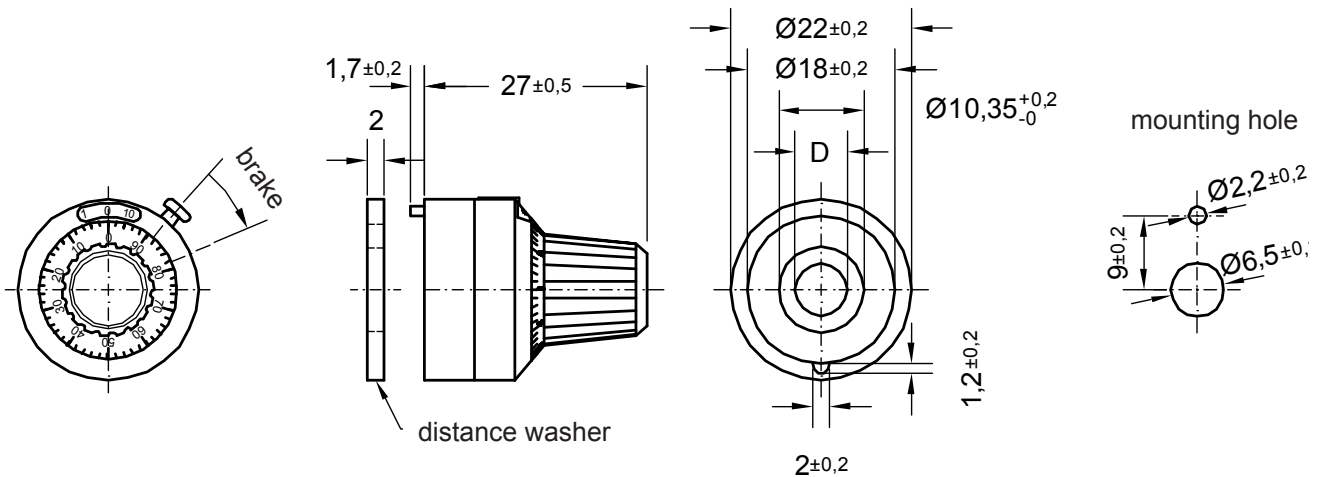


22 mm, 10 Revolutions  
with Fixing Brake



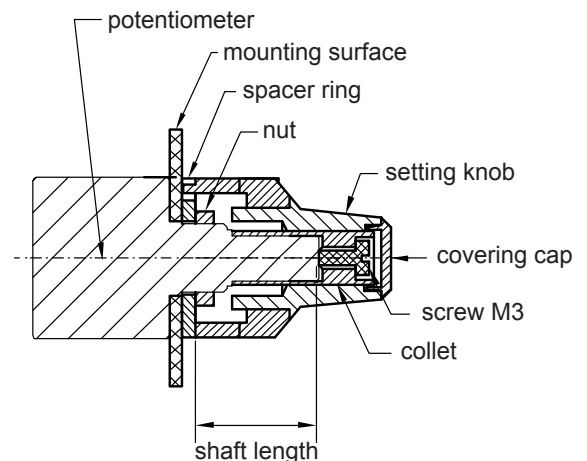
- Rugged plastic / metal body
- Embossed Scale
- Slip proof design
- Reasonable priced, for medium operational demands

Please note: The specification and information in this datasheet cannot consider all special demands that are caused by the application. Because of this, they are no general description of the properties of the product. Megauto does not assume any responsibility for damages due to improper application of our products. The user has to ensure by its own, that the products used are suitable for his application. Megauto does not warrant the reproducibility of published applications.



**MECHANICAL CHARACTERISTICS**

Revolutions	10 (0 -9.99)
Resolution	100/per turn
Panel thickness	2 - 6mm
Projecting length	max. 27mm
Shaft diameters	3,17mm (3,17) 4mm (4) 6mm (6) 6,35mm (6,35)
Bushing	9,65mm
Mechanical interlock	brake
Mounting	set screw
Scale	white digits on black plastics
Body	plastics/aluminium
Weight	10 gram
Operating Temperature (°C)	-55°C to 70°C



**Application:** Multiturn knobs are indicators showing the actual position of a multiturn wirewound precision potentiometer. A decimal counter and a in 100 segments divided scale indicate the relative position of the wiper in relation to the start point on the resistance helix.

The RCD adjustment knob has to be fixed on the potentiometer shaft by using the set screw. With the adaptor the knob can be mounted on front panels with a thickness between 1,3mm and 3mm. This multiturn knob fits on all multiturnpotentiometers with a bushing size of maximum M10 x 0,75.

**ORDERING INFORMATION**

Detailed information: [www.megauto.de/assec](http://www.megauto.de/assec)

RCD22-10	6	/	/	/	/
Typ	shaft diameter	/	/	/	/